

**SPECIFICATION  
FOR  
LCD Module  
KD030C-1 V3**

<b>MODULE:</b>	<b>KD030C-1 V3</b>
<b>CUSTOMER:</b>	

<b>REV</b>	<b>DESCRIPTION</b>	<b>DATE</b>
<b>1.0</b>	<b>FIRST ISSUE</b>	<b>2014.05.29</b>

<b>STARTEK</b>	<b>INITIAL</b>	<b>DATE</b>
<b>PREPARED BY</b>		
<b>CHECKED BY</b>		
<b>APPROVED BY</b>		

<b>CUSTOMER</b>	<b>INITIAL</b>	<b>DATE</b>
<b>APPROVED BY</b>		



## Contents

<b>General Description</b>	<b>4</b>
<b>1. Block Diagram</b>	<b>5</b>
<b>2. Outline dimension</b>	<b>6</b>
<b>3. Input Terminal Pin Assignment</b>	<b>7</b>
<b>4. LCD Optical Characteristics</b>	<b>8</b>
<b>5. Electrical Characteristics</b>	<b>10</b>
<b>6. AC Characteristic</b>	<b>13</b>
<b>7. LCD Module Out-Going Quality Level</b>	<b>15</b>
<b>8. Reliability Test Result</b>	<b>23</b>
<b>9. Cautions and Handling Precautions</b>	<b>24</b>
<b>10. Packing</b>	<b>25</b>

## General Description

### \* Description

This is a color active matrix TFT (Thin Film Transistor) LCD (liquid crystal display) that uses amorphous silicon TFT as a switching device. This model is composed of a Transmissive type TFT-LCD Panel, driver circuit, back-light unit. The resolution of a 3.0" TFT-LCD contains 240x400 pixels, and can display up to 65K/262K colors.

### \* Features

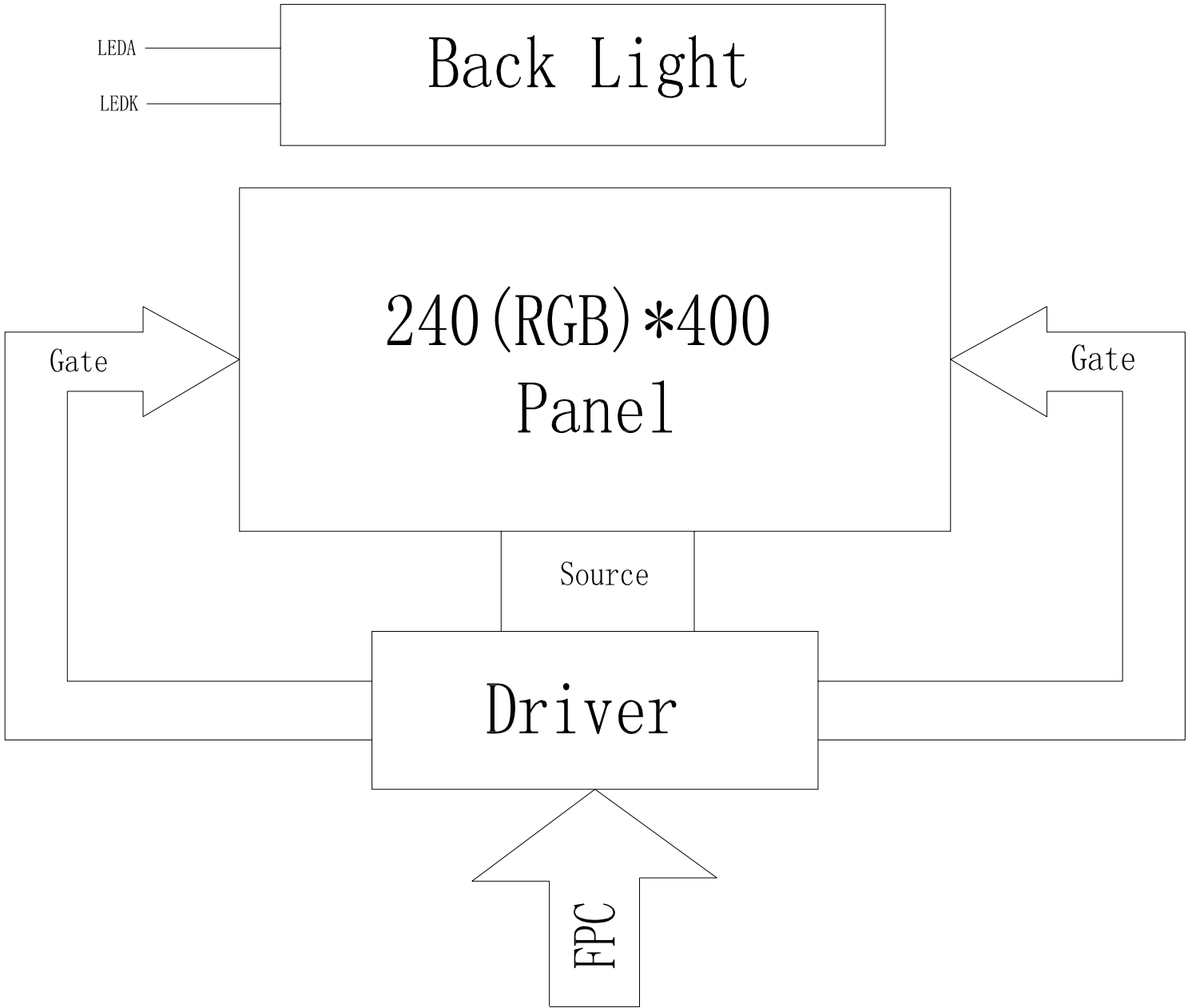
- Low Input Voltage: 2.8V~3.3V(TYP)
- Display Colors of TFT LCD: 65K/262K colors
- Interface: 8/9/16/18 BIT MCU Interface

General Information Items	Specification	Unit	Note
	Main Panel		
Display area(AA)	38.88(H)*64.80(V) (3.0inch)	mm	-
Driver element	TFT active matrix	-	-
Display colors	65K/262k	colors	-
Number of pixels	240(RGB)*400	dots	-
Pixel arrangement	RGB vertical stripe	-	-
Pixel pitch	0.051(H)*0.051(V)	mm	-
Viewing angle	12:00	o'clock	-
Controller IC	OTM4001A	-	-
Display mode	Transmissive/Normally White	-	-
Operating temperature	-20~+70	°C	-
Storage temperature	-30~+80	°C	-

### \* Mechanical Information

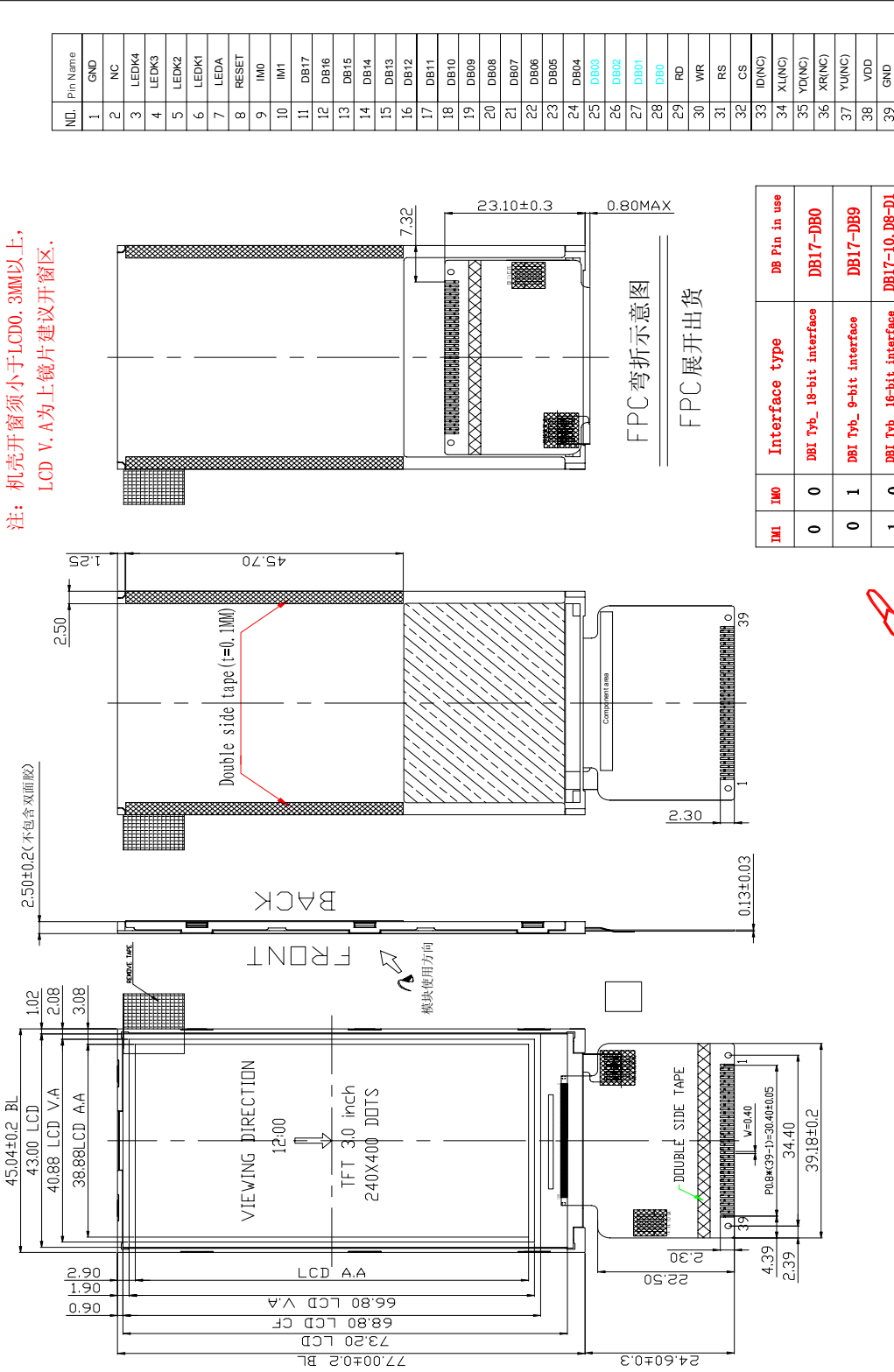
Item		Min.	Typ.	Max.	Unit	Note
Module size	Horizontal(H)		45.4		mm	-
	Vertical(V)		77		mm	-
	Depth(D)		2.50		mm	-
Weight			TBD		g	-

### 1. Block Diagram



## 2. Outline dimension

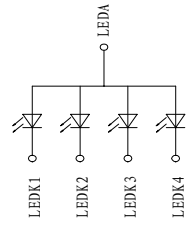
注：机壳开窗须小于LCD0.3MM以上，  
LCD V.A为上镜片建议开窗区。



NO.	Pin Name
1	GND
2	NC
3	LEDK4
4	LEDK3
5	LEDK2
6	LEDK1
7	LEDA
8	RESET
9	IM0
10	IM1
11	DB17
12	DB16
13	DB15
14	DB14
15	DB13
16	DB12
17	DB11
18	DB10
19	DB09
20	DB08
21	DB07
22	DB06
23	DB05
24	DB04
25	DB03
26	DB02
27	DB01
28	DB0
29	RD
30	WR
31	RS
32	CS
33	ID(NC)
34	XI(NC)
35	YI(NC)
36	XR(NC)
37	YU(NC)
38	VDD
39	GND

IM1	IM0	Interface type	DB Pin in use
0	0	DB1 Typ_ 18-bit interface	DB17-DB0
0	1	DB1 Typ_ 9-bit interface	DB17-DB9
1	0	DB1 Typ_ 16-bit interface	DB17-10, DB-01
1	1	DB1 Typ_ 8-bit interface	DB17-DB10

NOTE:  
1. If not use PIN, fix to the GND or VDD.



Display type: TFT/Normal white  
 Display mode: Transmissive  
 Viewing direction: 12:00  
 Interface: 8080-8/9/16/18 bit  
 Driver IC: OTM4001A  
 Backlight: White LED(4-LED Parallel)  
 $V_{led}=3.2\pm 0.2V$   $I_{led}=60mA$   
 Operating temperature:  $-20^{\circ}C \sim +70^{\circ}C$   
 Storage temperature:  $-30^{\circ}C \sim +80^{\circ}C$   
 Interface connector: FPC  
 Unspecified tolerance is  $\pm 0.3mm$

深圳市柯达电子科技有限公司 Shenzhen Startek Electronic Technology Co., Ltd		TOLERANCE(公差)	DRAWING NAME	KD030C-1 V3-LCM
Rev	Revision content description	Date	Drawn	Unit
V0	FIRST	2012/03/01	Checked	mm
			Scale	1:1
			Approve	Page 1/1

### 3. Input terminal Pin Assignment

NO.	SYMBOL	DISCRIPTION	I/O
1	GND	Ground.	P
2	NC	NC.	
3	LEDK4	Cathode pin of backlight.	P
4	LEDK3	Cathode pin of backlight.	P
5	LEDK2	Cathode pin of backlight.	P
6	LEDK1	Cathode pin of backlight.	P
7	LEDA	Anode pin of backlight.	P
8	RESET	This signal low will reset the device and must be applied to properly initialize the chip. Signal is low active.	I
9	IM0	Interface selecting signal.	I
10	IM1		I
11~28	DB17~DB0	These pins are data bus. If they are not used; please fix these pins as GND.	I/O
29	RD	Read control pin for the DBI interface. If not used, please connect this pin to VCC.	I
30	WR	Write control pin for the DBI interface. If not used, please connect this pin to VCC.	I
31	RS	Display data / Command selection pin RS='1': Display data. RS='0': Command data.	I
32	CS	Chip select input pin ("Low" enable). When it is not used, please fix this pin at VCC.	I
33	ID(NC)	NC	
34	XL(NC)	NC	
35	YD(NC)	NC	
36	XR(NC)	NC	
37	YU(NC)	NC	
38	VDD	Power supply voltage (VCI=2.5V-3.3V).	P
39	GND	Ground.	P

## 4. LCD Optical Characteristics

### 4.1 Optical specification

(Note1 · Note2)

(Using CPT LC+ EWV Polarizer+Corresponding Backlight, reference only)

ITEM	SYMBOL	CONDITION	MIN.	TYP.	MAX.	UNIT	REMARK			
Transmittance	T		(5.2)	(5.5)		%				
Contrast Ratio	CR	*1)		(250)	-	--	Note 3			
Response Time	Tr+ Tf	*3)	-	(30)		ms	Note 4			
Viewing Angle	Vertical	$\theta$ *2)	CR $\geq$ 10	(100)	(110)	-	Note 5			
						-				
	Horizontal					$\phi$ *2)		(120)	(130)	-
										-
Color Filter Chromaticity	White	$x$ $y$ Y	$\theta = \phi = 0^\circ$	(0.288)	(0.308)	(0.328)	Note 6			
						(0.322)		(0.342)	(0.362)	
						(27.8)		(30.8)	(33.8)	
	Red	$x$ $y$ Y	$\theta = \phi = 0^\circ$	(0.633)	(0.653)	(0.673)				
						(0.311)		(0.331)	(0.351)	
						(15.4)		(18.4)	(21.4)	
	Green	$x$ $y$ Y	$\theta = \phi = 0^\circ$	(0.291)	(0.311)	(0.331)				
						(0.554)		(0.574)	(0.594)	
						(55.0)		(59.0)	(63)	
	Blue	$x$ $y$ Y	$\theta = \phi = 0^\circ$	(0.114)	(0.134)	(0.154)				
						(0.114)		(0.134)	(0.154)	
						(12.3)		(15.3)	(18.3)	
NTSC			-	(61%)	-					

### 4.2 Measuring Condition

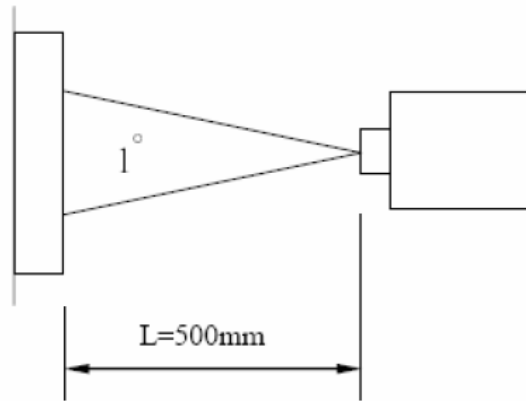
- Measuring surrounding : dark room
- Ambient temperature : 25 $\pm$ 2 $^\circ$ C
- 15min. warm-up time

### 4.3 Measuring Equipment

FPM520 of Westar Display technologies, INC., which utilized SR-3 for Chromaticity and BM-5A for other optical characteristics.

Note 1. Ambient condition :  $25^{\circ}\text{C} \pm 2^{\circ}\text{C}$  ,  $60 \pm 10\% \text{RH}$  , under 10 Lux in the darkroom .

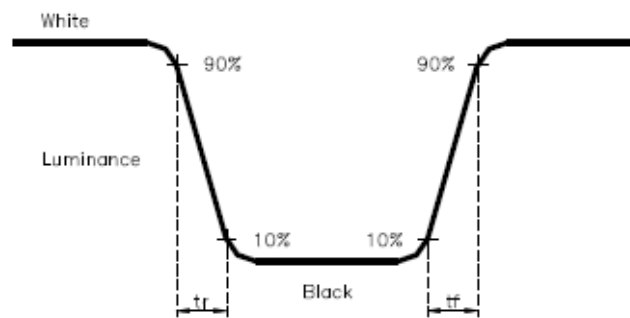
Note 2. Measure device : BM-5A (TOPCON) , viewing cone=  $1^{\circ}$  ,  $I_c=20\text{mA}$  .



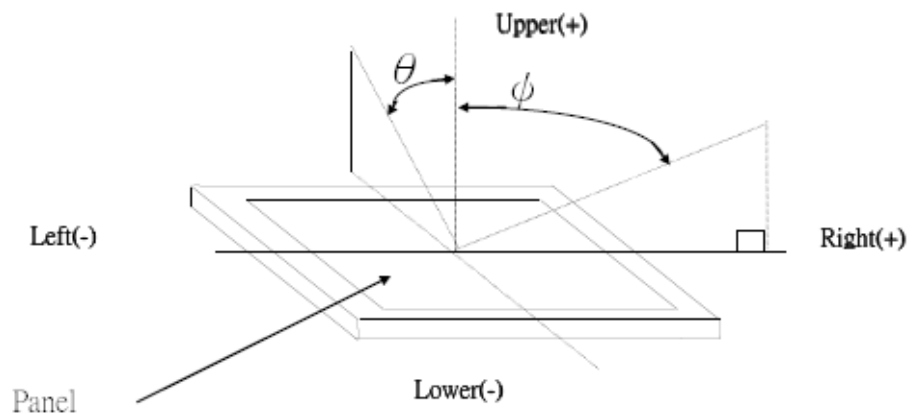
Note 3. Definition of Contrast Ratio :

$$\text{CR} = \text{White Luminance (ON)} / \text{Black Luminance (OFF)}$$

Note 4. Definition of response time : The response time is defined as the time interval between the 10% and 90% amplitudes.



Note 5. Definition of view angle( $\theta$  ,  $\psi$ ) :



Note 6. Light source: C light.

## 5. Electrical Characteristics

### 5.1 Absolute Maximum Rating (Ta=25 VSS=0V)

Characteristics	Symbol	Min.	Max.	Unit
Digital Supply Voltage	VDD	-0.3	4.6	V
Digital interface supply Voltage	VDDIO	-0.3	4.6	V
Operating temperature	T <sub>OP</sub>	-20	+70	°C
Storage temperature	T <sub>ST</sub>	-30	+80	°C

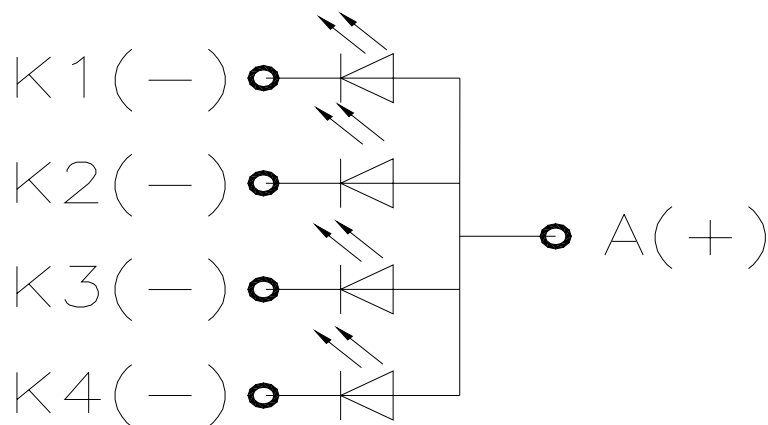
### 5.2 DC Electrical Characteristics

Characteristics	Symbol	Min.	Typ.	Max.	Unit	Note
Digital Supply Voltage	VDD	2.4	3.3	4.2	V	
Digital interface supply Voltage	VDDIO	1.65	3.3	4.2	V	
Normal mode Current consumption	IDD	--	12	--	mA	
Level input voltage	V <sub>IH</sub>	0.7V <sub>DDIO</sub>		V <sub>DDIO</sub>	V	
	V <sub>IL</sub>	GND		0.3V <sub>DDIO</sub>	V	
Level output voltage	V <sub>OH</sub>	0.8V <sub>DDIO</sub>		V <sub>DDIO</sub>	V	
	V <sub>OL</sub>	GND		0.2V <sub>DDIO</sub>	V	

### 5.3 LED Backlight Characteristics

The back-light system is edge-lighting type with 4chips White LED

Item	Symbol	Min.	Typ.	Max.	Unit	Note
Forward Current	$I_F$	60	80	-	mA	
Forward Voltage	$V_F$		3.2		V	-
LCM Luminance	$L_V$	220	-	-	cd/m <sup>2</sup>	$I_F=80\text{mA}$
Uniformity	AVg	80	-	-	%	-



BLU CIRCUIT DIAGRAM

## 6. AC Characteristic

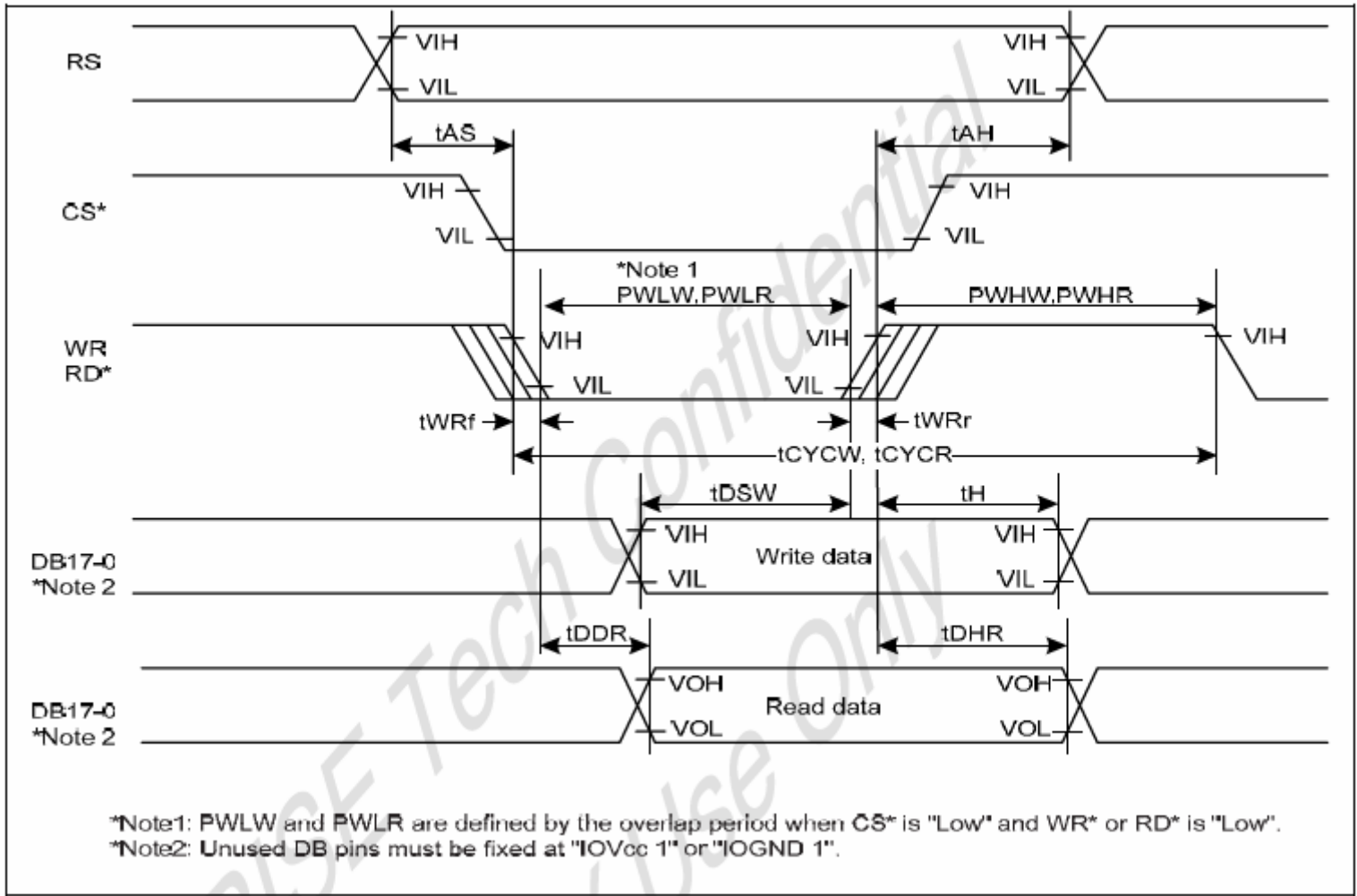
VCC=2.5V~3.6V, IOVCC=1.65V~3.6V, Ta= -40°C ~ +85°C.

### 6.1 Clock Characteristics

#### 80-System Bus Interface Timing Characteristics

Table 13-4 Normal write operation (HWM=0), IOVCC=1.65V~3.60V

Item	Symbol	Unit	Min.	Typ.	Max.	
Bus cycle time	Write	tCYCW	ns	150	-	-
	Read	tCYCR	ns	450	-	-
Write low-level pulse width	PWLW	ns	55	-	-	
Read low-level pulse width	PWLR	ns	170	-	-	
Write high-level pulse width	PWHW	ns	70	-	-	
Read high-level pulse width	PWHR	ns	250	-	-	
Write/Read rise/ fall time	tWRr, WRf	ns	-	-	10	
Setup time	Write (RS to CS*, WR*)	tAS	ns	0	-	-
	Read (RS to CS*, RD*)		ns	10	-	-
Address Hold Time	tAH	ns	2	-	-	
Write data setup time	tDSW	ns	25	-	-	
Write data hold time	tH	ns	10	-	-	
Read data delay time	tDDR	ns	-	-	150	
Read data hold time	tDHR	ns	5	-	-	



### 6.2 RESET Timing

Item	Symbol	Unit	Min.	Typ.	Max.
Reset low-level width	tRES	ms	1	-	-
Reset rise time	trRES	$\mu$ s	-	-	10



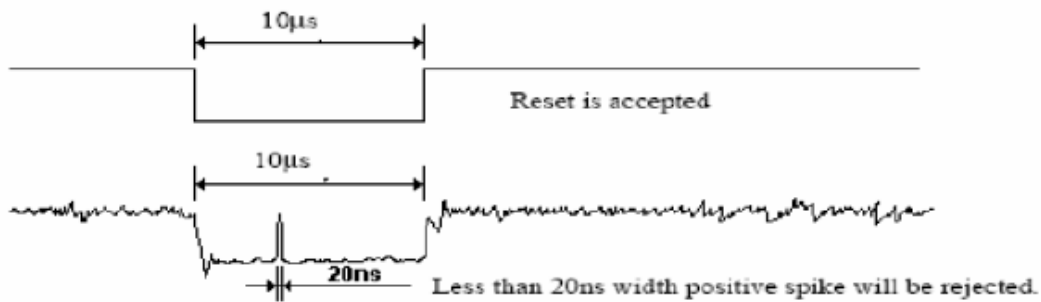
*Note 1: The reset cancel includes also required time for loading ID bytes, VCOM setting and other settings from NV memory to registers. This loading is done every time when there is HW reset cancel time (tRT) within 5 ms after a rising edge of RESX.*

*Note 2: Spike due to an electrostatic discharge on RESX line does not cause irregular system reset according to the table below: -*

RESX Pulse	Action
Shorter than 5us	Reset Rejected
Longer than 10us	Reset
Between 5us and 10us	Reset starts

*Note 3: During the Resetting period, the display will be blanked (The display is entering blanking sequence, which maximum time is 120 ms, when Reset Starts in Sleep Out –mode. The display remains the blank state in Sleep In -mode.) And then return to Default condition for Hardware Reset.*

*Note 4: Spike Rejection also applies during a valid reset pulse as shown below:*



*Note 5: When Reset applied during Sleep In Mode.*

*Note 6: When Reset applied during Sleep Out Mode.*

*Note 7: It is necessary to wait 5msec after releasing RESX before sending commands. Also Sleep Out command cannot be sent for 120msec.*

## 7. LCD Module Out-Going Quality Level

### 7.1 VISUAL & FUNCTION INSPECTION STANDARD

#### 7.1.1 Inspection conditions

Inspection performed under the following conditions is recommended.

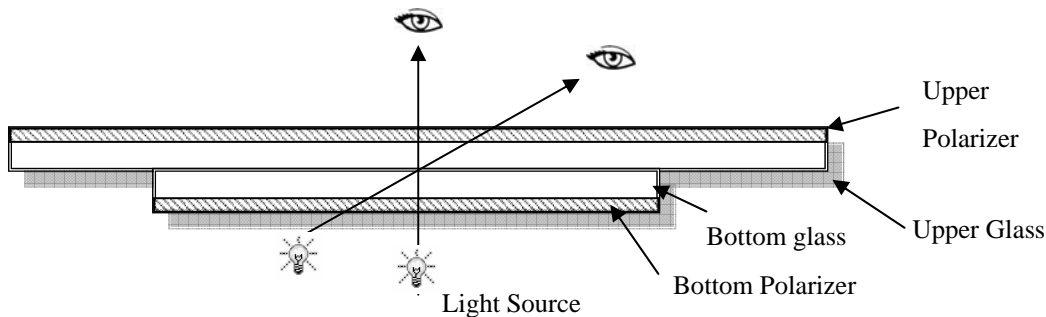
Temperature :  $25 \pm 5^\circ\text{C}$

Humidity :  $65\% \pm 10\% \text{RH}$

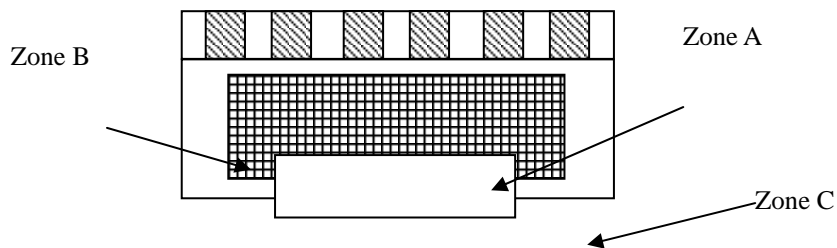
Viewing Angle : Normal viewing Angle.

Illumination: Single fluorescent lamp (300 to 700Lux)

Viewing distance: 30-50cm



#### 7.1.2 Definition



Zone A : Effective Viewing Area (Character or Digit can be seen)

Zone B : Viewing Area except Zone A

Zone C : Outside (Zone A+Zone B) which can not be seen after assembly by customer .)

Note:

As a general rule ,visual defects in Zone C can be ignored when it doesn't effect product function or appearance after assembly by customer.

### 7.1.3 Sampling Plan

According to GB/T 2828-2003 ; , normal inspection, Class II

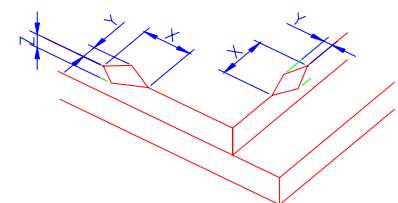
AQL:

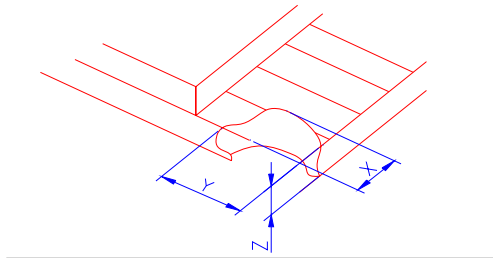
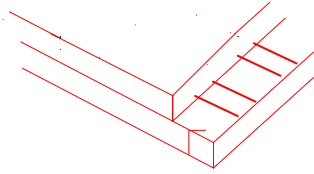
Major defect	Minor defect
0.65	1.5

LCD: Liquid Crystal Display , TP: Touch Panel , LCM: Liquid Crystal Module

No	Items to be inspected	Criteria	Classification of defects
1	Functional defects	1) No display, Open or miss line 2) Display abnormally, Short 3) Backlight no lighting, abnormal lighting. 4) TP no function	Major
2	Missing	Missing component	
3	Outline dimension	Overall outline dimension beyond the drawing is not allowed	
4	Color tone	Color unevenness, refer to limited sample	Minor
5	Soldering appearance	Good soldering , Peeling off is not allowed.	
6	LCD/Polarizer/TP	Black/White spot/line, scratch, crack, etc.	

### 7.1.4 Criteria (Visual)

Number	Items	Criteria(mm)						
1.0 LCD Crack/Broken	(1) The edge of LCD broken	 <table border="1" data-bbox="845 1635 1388 1814"> <tr> <td>X</td> <td>Y</td> <td>Z</td> </tr> <tr> <td>≤3.0mm</td> <td>&lt;Inner border line of the seal</td> <td>≤T</td> </tr> </table>	X	Y	Z	≤3.0mm	<Inner border line of the seal	≤T
X	Y	Z						
≤3.0mm	<Inner border line of the seal	≤T						
NOTE: X: Length Y: Width Z: Height L: Length of ITO,								

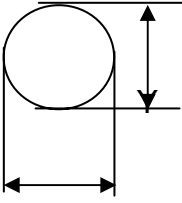
T: Height of LCD	(2) LCD corner broken	 <table border="1" style="margin-left: auto; margin-right: auto;"> <tr> <td style="text-align: center;">X</td> <td style="text-align: center;">Y</td> <td style="text-align: center;">Z</td> </tr> <tr> <td style="text-align: center;"><math>\leq 3.0\text{mm}</math></td> <td style="text-align: center;"><math>\leq L</math></td> <td style="text-align: center;"><math>\leq T</math></td> </tr> </table>	X	Y	Z	$\leq 3.0\text{mm}$	$\leq L$	$\leq T$
	X	Y	Z					
$\leq 3.0\text{mm}$	$\leq L$	$\leq T$						
(3) LCD crack	 <p style="text-align: center;">Crack Not allowed</p>							

Number	Items	Criteria (mm)
--------	-------	---------------



2.0

Spot defect



X

$$\Phi = (X+Y)/2$$

① light dot (LCD/TP/Polarizer black/white spot , light dot, pinhole, dent, stain)

Zone Size (mm)	Acceptable Qty		
	A	B	C
$\Phi \leq 0.10$	Ignore		
$0.10 < \Phi \leq 0.15$	3( distance $\geq 10\text{mm}$ )		
$0.15 < \Phi \leq 0.2$	1		
$0.2 < \Phi$	0		

② Dim spot (LCD/TP/Polarizer dim dot, light leakage、 dark spot)

Zone Size (mm)	Acceptable Qty		
	A	B	C
$\Phi \leq 0.1$	Ignore		
$0.1 < \Phi \leq 0.2$	2( distance $\geq 10\text{mm}$ )		
$0.2 < \Phi \leq 0.3$	1		
$\Phi > 0.3$	0		

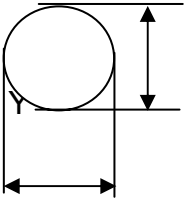
③ Polarizer accidented spot

Zone Size (mm)	Acceptable Qty		
	A	B	C
$\Phi \leq 0.2$	Ignore		
$0.2 < \Phi \leq 0.5$	2( distance $\geq 10\text{mm}$ )		
$\Phi > 0.5$	0		

Line defect  
(LCD/TP  
/Polarizer  
black/white  
line, scratch,  
stain)

Width(mm)	Length(mm)	Acceptable Qty		
		A	B	C
$\Phi \leq 0.03$	Ignore	Ignore		Ignore
$0.03 < W \leq 0.05$	$L \leq 3.0$	$N \leq 2$		
$0.05 < W \leq 0.08$	$L \leq 2.0$	$N \leq 2$		
$0.08 < W$	Define as spot defect			


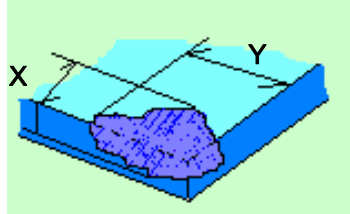
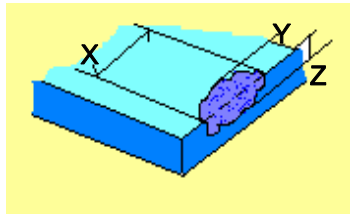


Items	Criteria (mm)																																																																	
<p>Spot defect</p>  <p>X</p> <p>Y</p> <p><math>\Phi = (X+Y)/2</math></p>	<p>① light dot (LCD/TP/Polarizer black/white spot , light dot, pinhole, dent, stain)</p> <table border="1" data-bbox="359 694 1284 1048"> <thead> <tr> <th rowspan="2">Zone Size (mm)</th> <th colspan="3">Acceptable Qty</th> </tr> <tr> <th>A</th> <th>B</th> <th>C</th> </tr> </thead> <tbody> <tr> <td><math>\Phi \leq 0.10</math></td> <td colspan="3">Ignore</td> </tr> <tr> <td><math>0.10 &lt; \Phi \leq 0.15</math></td> <td colspan="3">3( distance <math>\geq 10\text{mm}</math>)</td> </tr> <tr> <td><math>0.15 &lt; \Phi \leq 0.2</math></td> <td colspan="3">1</td> </tr> <tr> <td><math>0.2 &lt; \Phi</math></td> <td colspan="3">0</td> </tr> </tbody> </table> <p>② Dim spot (LCD/TP/Polarizer dim dot, light leakage、 dark spot)</p> <table border="1" data-bbox="359 1142 1311 1496"> <thead> <tr> <th rowspan="2">Zone Size (mm)</th> <th colspan="3">Acceptable Qty</th> </tr> <tr> <th>A</th> <th>B</th> <th>C</th> </tr> </thead> <tbody> <tr> <td><math>\Phi \leq 0.1</math></td> <td colspan="3">Ignore</td> </tr> <tr> <td><math>0.1 &lt; \Phi \leq 0.2</math></td> <td colspan="3">2( distance <math>\geq 10\text{mm}</math>)</td> </tr> <tr> <td><math>0.2 &lt; \Phi \leq 0.3</math></td> <td colspan="3">1</td> </tr> <tr> <td><math>\Phi &gt; 0.3</math></td> <td colspan="3">0</td> </tr> </tbody> </table> <p>③ Polarizer accidented spot</p> <table border="1" data-bbox="359 1590 1169 1895"> <thead> <tr> <th rowspan="2">Zone Size (mm)</th> <th colspan="3">Acceptable Qty</th> </tr> <tr> <th>A</th> <th>B</th> <th>C</th> </tr> </thead> <tbody> <tr> <td><math>\Phi \leq 0.2</math></td> <td colspan="3">Ignore</td> </tr> <tr> <td><math>0.2 &lt; \Phi \leq 0.5</math></td> <td colspan="3">2( distance <math>\geq 10\text{mm}</math>)</td> </tr> <tr> <td><math>\Phi &gt; 0.5</math></td> <td colspan="3">0</td> </tr> </tbody> </table>	Zone Size (mm)	Acceptable Qty			A	B	C	$\Phi \leq 0.10$	Ignore			$0.10 < \Phi \leq 0.15$	3( distance $\geq 10\text{mm}$ )			$0.15 < \Phi \leq 0.2$	1			$0.2 < \Phi$	0			Zone Size (mm)	Acceptable Qty			A	B	C	$\Phi \leq 0.1$	Ignore			$0.1 < \Phi \leq 0.2$	2( distance $\geq 10\text{mm}$ )			$0.2 < \Phi \leq 0.3$	1			$\Phi > 0.3$	0			Zone Size (mm)	Acceptable Qty			A	B	C	$\Phi \leq 0.2$	Ignore			$0.2 < \Phi \leq 0.5$	2( distance $\geq 10\text{mm}$ )			$\Phi > 0.5$	0		
Zone Size (mm)	Acceptable Qty																																																																	
	A	B	C																																																															
$\Phi \leq 0.10$	Ignore																																																																	
$0.10 < \Phi \leq 0.15$	3( distance $\geq 10\text{mm}$ )																																																																	
$0.15 < \Phi \leq 0.2$	1																																																																	
$0.2 < \Phi$	0																																																																	
Zone Size (mm)	Acceptable Qty																																																																	
	A	B	C																																																															
$\Phi \leq 0.1$	Ignore																																																																	
$0.1 < \Phi \leq 0.2$	2( distance $\geq 10\text{mm}$ )																																																																	
$0.2 < \Phi \leq 0.3$	1																																																																	
$\Phi > 0.3$	0																																																																	
Zone Size (mm)	Acceptable Qty																																																																	
	A	B	C																																																															
$\Phi \leq 0.2$	Ignore																																																																	
$0.2 < \Phi \leq 0.5$	2( distance $\geq 10\text{mm}$ )																																																																	
$\Phi > 0.5$	0																																																																	



Line defect (LCD/TP /Polarizer black/white line, scratch, stain)	Width(mm)			Length(mm)			Acceptable Qty		
							A	B	C
	$\Phi \leq 0.03$			Ignore			Ignore		
	$0.03 < W \leq 0.05$			$L \leq 3.0$			$N \leq 2$		
	$0.05 < W \leq 0.08$			$L \leq 2.0$			$N \leq 2$		
$0.08 < W$			Define as spot defect						
Polarizer Bubble	Zone		Acceptable Qty						
	Size (mm)		A	B		C			
	$\Phi \leq 0.2$		Ignore						
	$0.2 < \Phi \leq 0.4$		2 (distance $\geq 10$ mm)						
	$0.4 < \Phi \leq 0.6$		1						
$0.6 < \Phi$		0							
SMT	According to IPC-A-610C class II standard . Function defect and missing part are major defect ,the others are minor defect.								

TP bubble/ accident spot	Size $\Phi$ (mm)		Acceptable Qty		
			A	B	C
	$\Phi \leq 0.1$		Ignore		
	$0.1 < \Phi \leq 0.2$		2 (distance $\geq 10$ mm)		
	$0.2 < \Phi \leq 0.3$		1		
$0.3 < \Phi$		0			
Assembly deflection	beyond the edge of backlight $\leq 0.15$ mm				

5.0	TP Related	<p>Newton Ring</p> <p>Newton Ring area &gt; 1/3 TP area NG</p> <p>Newton Ring area ≤ 1/3 TP area OK</p>							
	<p>TP corner broken</p> <p>X : length</p> <p>Y : width</p> <p>Z : height</p>	<table border="1" data-bbox="526 1097 965 1249"> <thead> <tr> <th>X</th> <th>Y</th> <th>Z</th> </tr> </thead> <tbody> <tr> <td>X ≤ 3.0mm</td> <td>Y ≤ 3.0mm</td> <td>Z &lt; LCD thickness</td> </tr> </tbody> </table> <p>* Circuitry broken is not allowed.</p>	X	Y	Z	X ≤ 3.0mm	Y ≤ 3.0mm	Z < LCD thickness	
X	Y	Z							
X ≤ 3.0mm	Y ≤ 3.0mm	Z < LCD thickness							
	<p>TP edge broken</p> <p>X : length</p> <p>Y : width</p> <p>Z : height</p>	<table border="1" data-bbox="526 1388 965 1541"> <thead> <tr> <th>X</th> <th>Y</th> <th>Z</th> </tr> </thead> <tbody> <tr> <td>X ≤ 6.0mm</td> <td>Y ≤ 2.0mm</td> <td>Z &lt; LCD thickness</td> </tr> </tbody> </table> <p>* Circuitry broken is not allowed.</p>	X	Y	Z	X ≤ 6.0mm	Y ≤ 2.0mm	Z < LCD thickness	
X	Y	Z							
X ≤ 6.0mm	Y ≤ 2.0mm	Z < LCD thickness							

Criteria ( functional items)

Number	Items	Criteria (mm)
1	No display	Not allowed
2	Missing segment	Not allowed
3	Short	Not allowed
4	Backlight no lighting	Not allowed
5	TP no function	Not allowed

## 8. Reliability Test Result

### 8.1 Condition

Item	Condition	Sample Size	Test Result	Note
Low Temperature Operating Life test	-20°C, 96HR	3ea	pass	-
Thermal Humidity Operating Life test	60°C, 90%RH, 96HR	3ea	pass	-
Temperature Cycle ON/OFF test	-20°C ↔ 70°C, ON/OFF, 20CYC	3ea	pass	(1)
High Temperature Storage test	80°C, 96HR	3ea	pass	-
Low Temperature Storage test	- 30°C, 96HR	3ea	pass	-
Thermal Shock Resistance	The sample should be allowed to stand the following 5 cycles of operation: TSTL for 30 minutes -> normal temperature for 5 minutes -> TSTH for 30 minutes -> normal temperature for 5 minutes, as one cycle, then taking it out and drying it at normal temperature, and allowing it stand for 24 hours	3ea	pass	
Box Drop Test	1 Corner 3 Edges 6 faces, 66cm(MEDIUM BOX)	1box	pass	-

Note (1) ON Time over 10 seconds, OFF Time under 10 seconds

## 9. Cautions and Handling Precautions

### 9.1 Handling and Operating the Module

(1) When the module is assembled, it should be attached to the system firmly.

Do not warp or twist the module during assembly work.

(2) Protect the module from physical shock or any force. In addition to damage, this may cause improper operation or damage to the module and back-light unit.

(3) Note that polarizer is very fragile and could be easily damaged. Do not press or scratch the surface.

(4) Do not allow drops of water or chemicals to remain on the display surface.

If you have the droplets for a long time, staining and discoloration may occur.

(5) If the surface of the polarizer is dirty, clean it using some absorbent cotton or soft cloth.

(6) The desirable cleaners are water, IPA (Isopropyl Alcohol) or Hexane.

Do not use ketene type materials (ex. Acetone), Ethyl alcohol, Toluene, Ethyl acid or Methyl chloride. It might permanent damage to the polarizer due to chemical reaction.

(7) If the liquid crystal material leaks from the panel, it should be kept away from the eyes or mouth. In case of contact with hands, legs, or clothes, it must be washed away thoroughly with soap.

(8) Protect the module from static; it may cause damage to the CMOS ICs.

(9) Use finger-stalls with soft gloves in order to keep display clean during the incoming inspection and assembly process.

(10) Do not disassemble the module.

(11) Protection film for polarizer on the module shall be slowly peeled off just before use so that the electrostatic charge can be minimized.

(12) Pins of I/F connector shall not be touched directly with bare hands.

(13) Do not connect, disconnect the module in the "Power ON" condition.

(14) Power supply should always be turned on/off by the item 6.1 Power On Sequence & 6.2 Power Off Sequence

### 9.2 Storage and Transportation.

(1) Do not leave the panel in high temperature, and high humidity for a long time.

It is highly recommended to store the module with temperature from 0 to 35 °C and relative humidity of less than 70%

(2) Do not store the TFT-LCD module in direct sunlight.

(3) The module shall be stored in a dark place. When storing the modules for a long time, be sure to adopt effective measures for protecting the modules from strong ultraviolet radiation, sunlight, or fluorescent light.

(4) It is recommended that the modules should be stored under a condition where no condensation is allowed. Formation of dewdrops may cause an abnormal operation or a failure of the module.

In particular, the greatest possible care should be taken to prevent any module from being operated where condensation has occurred inside.

(5) This panel has its circuitry FPC on the bottom side and should be handled carefully in order not to be stressed.

Part. No	KD030C-1 V3	REV	V1.0	Page 24 of 25
----------	-------------	-----	------	---------------

**10.Packing**

**---TBD----**